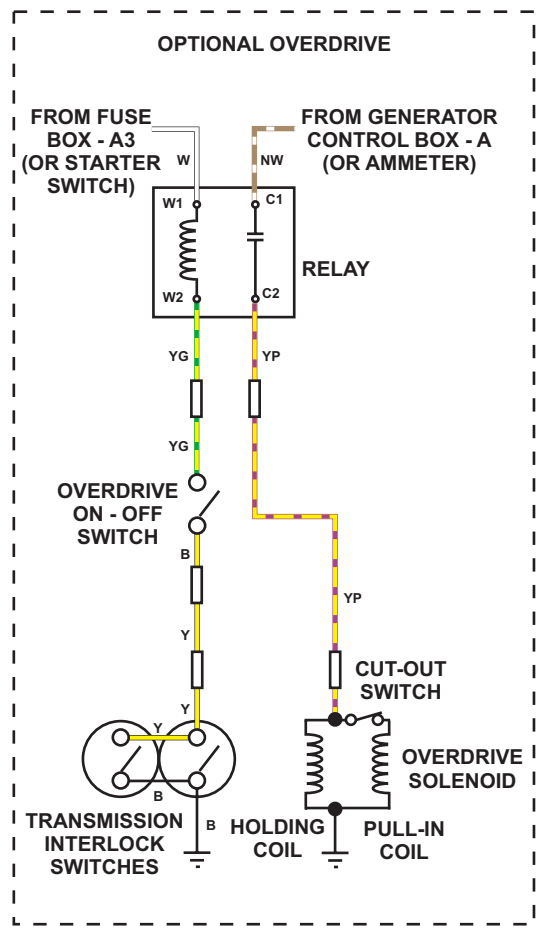
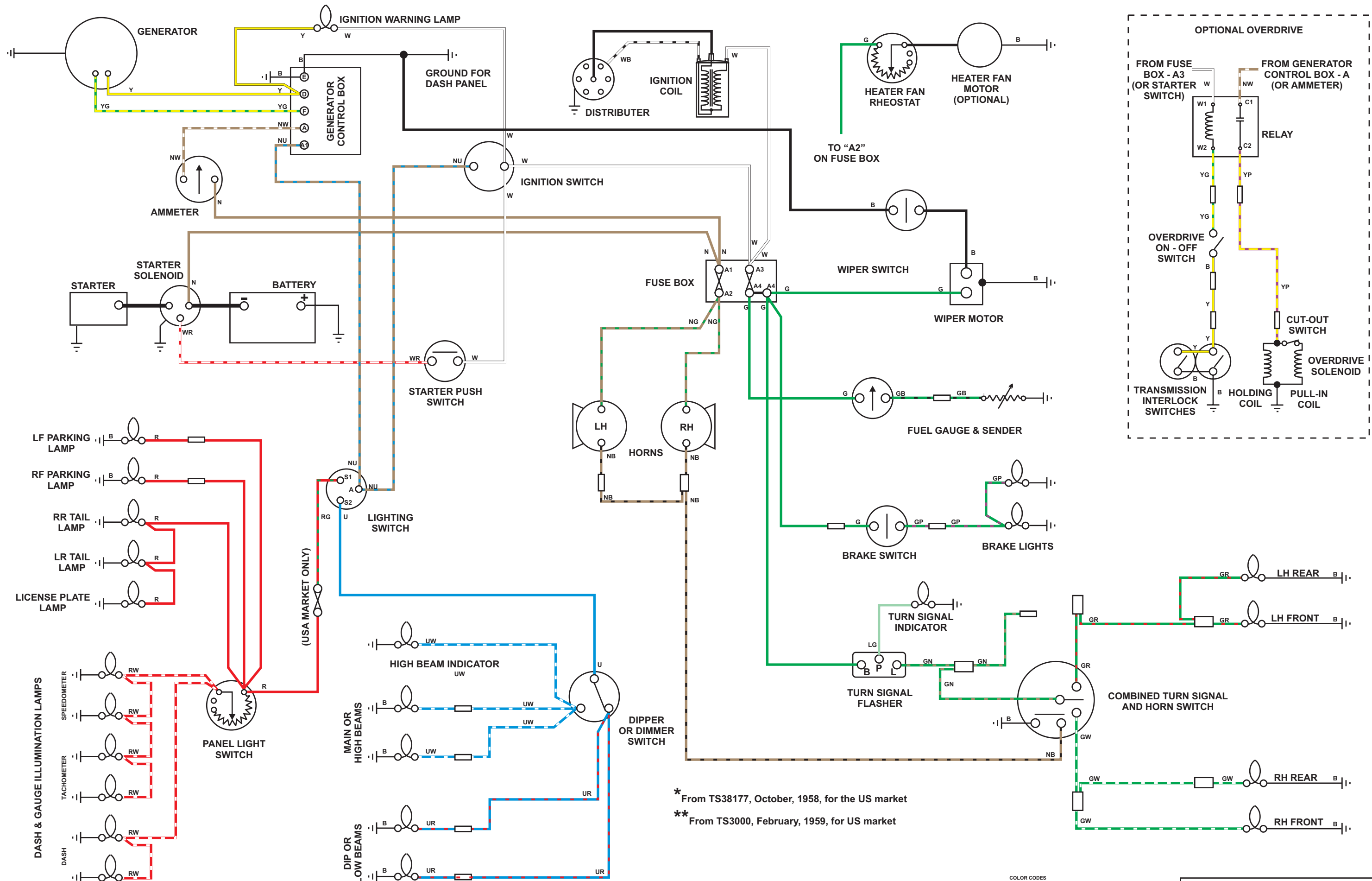


\* Up to TS12567, July, 1955. See diagram B2 for later wiring diagram.  
 \*\* One brake light fitted up to TS15601, May, 1957, for US market.  
 \*\*\* OD was operative only in top up to TS6266, may, 1955. Only one switch fitted prior to this change.

COLOR CODES

N	Brown	LG	Light Green	G	Green
U	Blue	W	White	B	Black
R	Red	Y	Yellow	K	Pink
P	Purple	S	Slate	O	Orange

# TR2, TR3

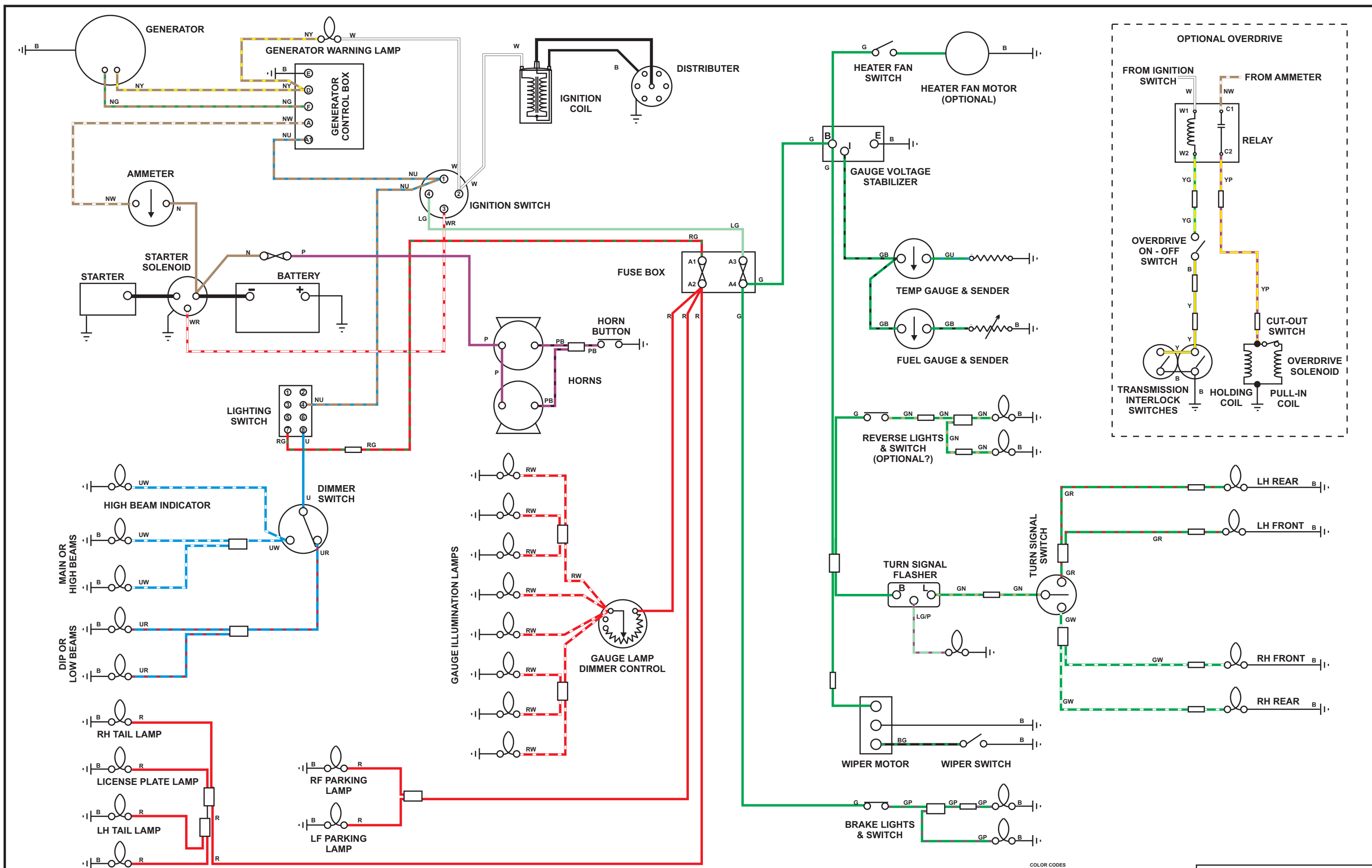


\* From TS38177, October, 1958, for the US market  
 \*\* From TS3000, February, 1959, for US market

COLOR CODES

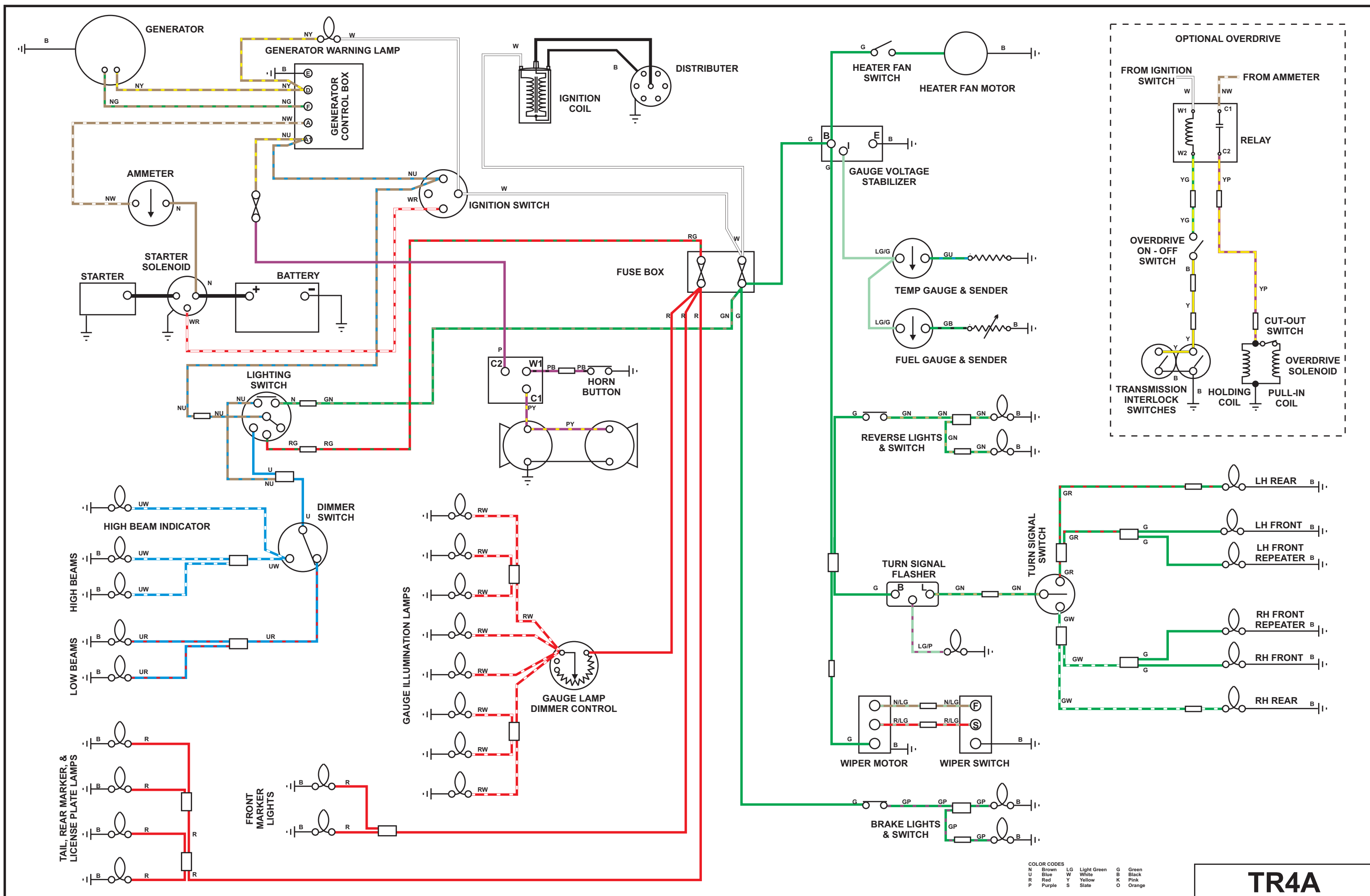
N	Brown	LG	Light Green	G	Green
U	Blue	W	White	B	Black
R	Red	Y	Yellow	K	Pink
P	Purple	S	Slate	O	Orange

# TR3A, TR3B



COLOR CODES

N	Brown	LG	Light Green	G	Green
U	Blue	W	White	B	Black
R	Red	Y	Yellow	K	Pink
P	Purple	S	Slate	O	Orange



COLOR CODES

N	Brown	LG	Light Green	G	Green
U	Blue	W	White	B	Black
R	Red	Y	Yellow	K	Pink
P	Purple	S	Slate	O	Orange

**TR4A**